



# MIDNIGHT VIPERS

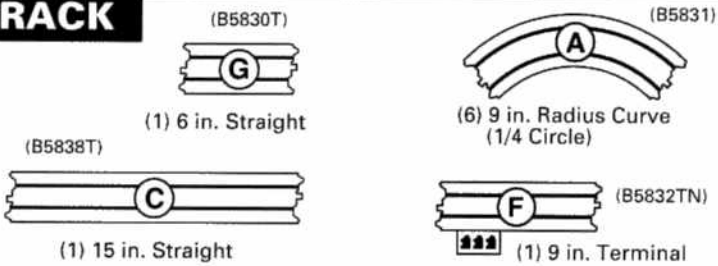


Keep these instructions for future reference, as they contain important information.

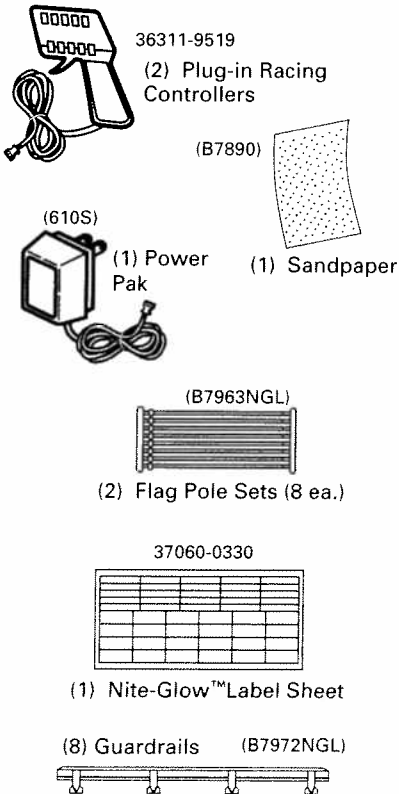
**IMPORTANT!** FOR BEST PERFORMANCE, CLEAN TRACK BEFORE EACH RACE. SEE OWNER'S MANUAL FOR DETAILS.

## CONTENTS

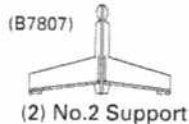
### TRACK



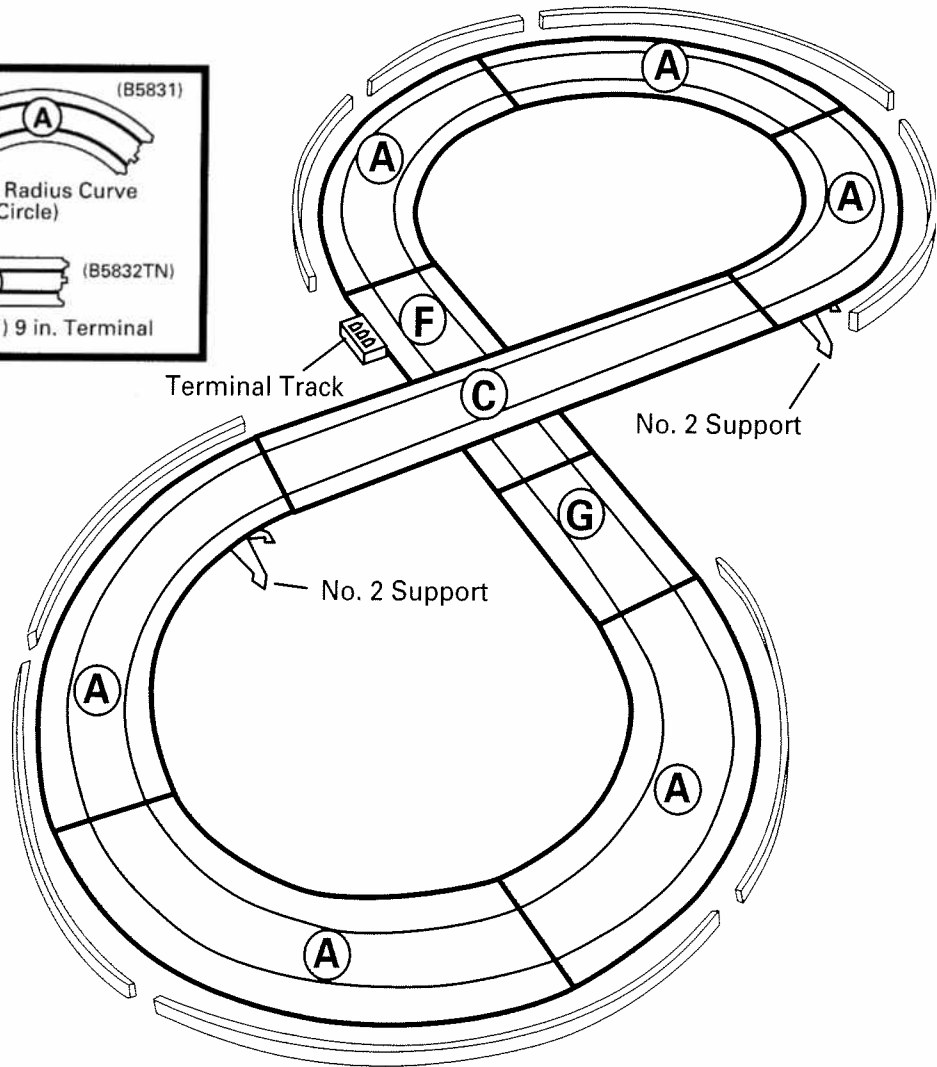
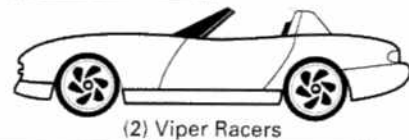
### ACCESSORIES



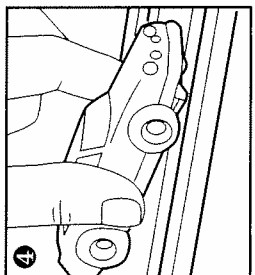
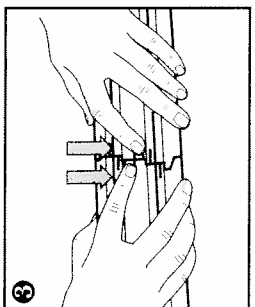
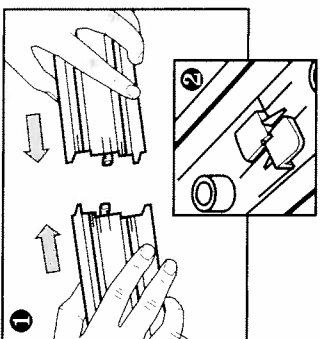
### SUPPORTS



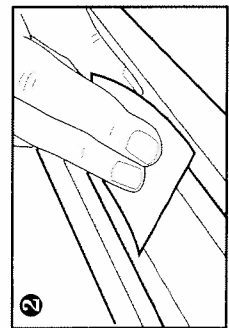
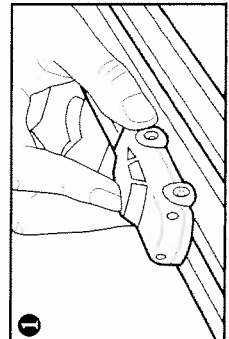
### VEHICLES



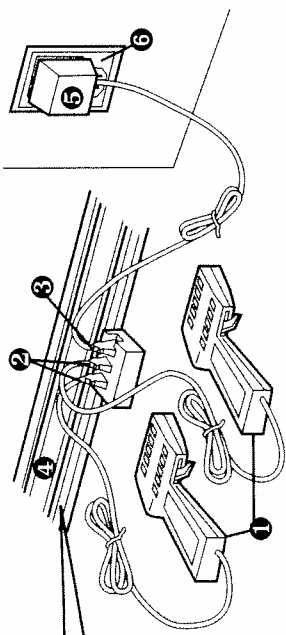
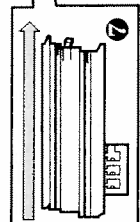
# I



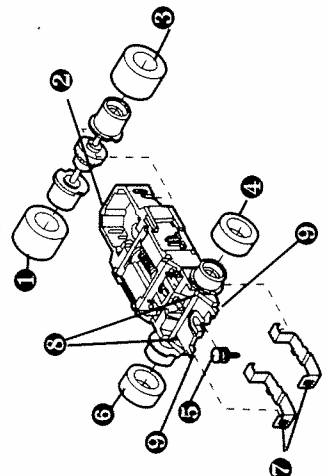
# II



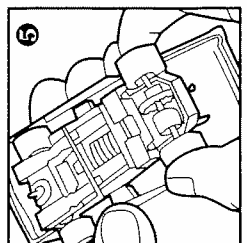
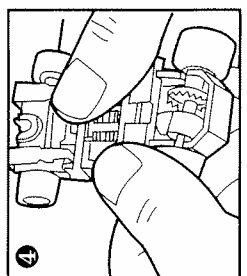
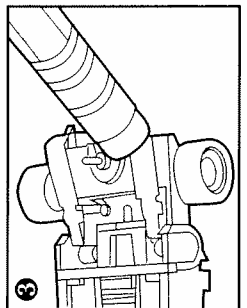
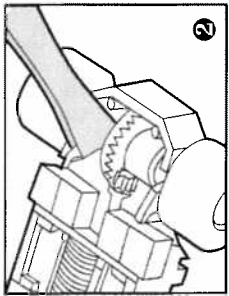
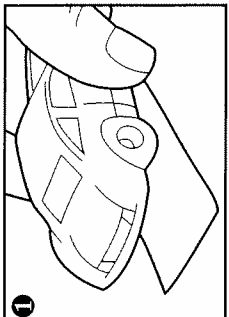
# III



# IV



# V



# VI

